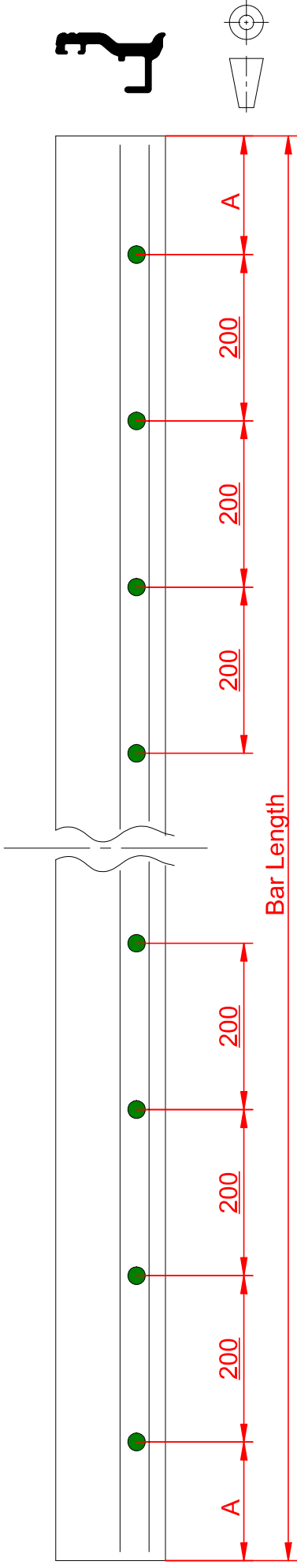
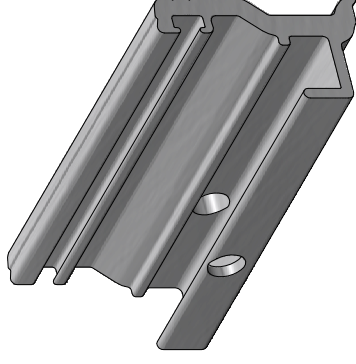
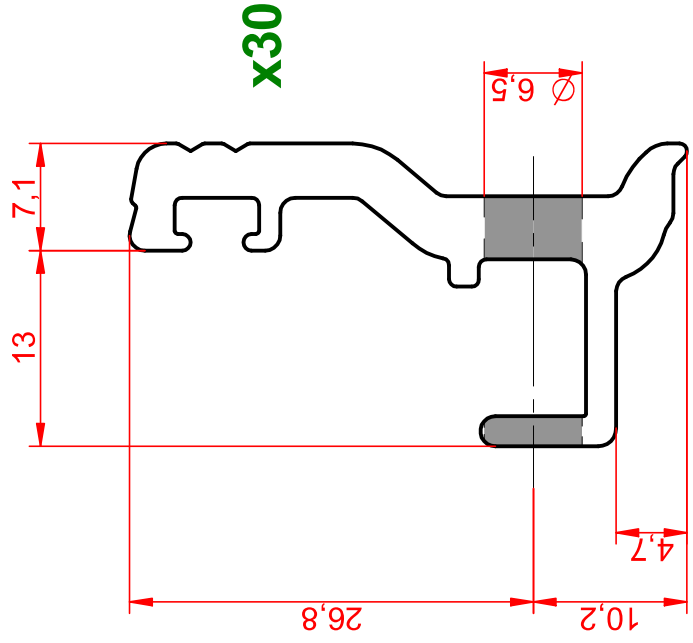


Reviews

Rev	Description	Date	Approved



bar length	dimension A
6.050	125±1
6.060	130±1



Name	Date	Rev
	20/10/2015	01
Drawn		
Controlled		
Material:	A4	
Weight meter:		
Weight piece:		
File: 1.5.020.06.10.dff		
Scale:		

1.5.020.06.10

For more technical information request electronic files.