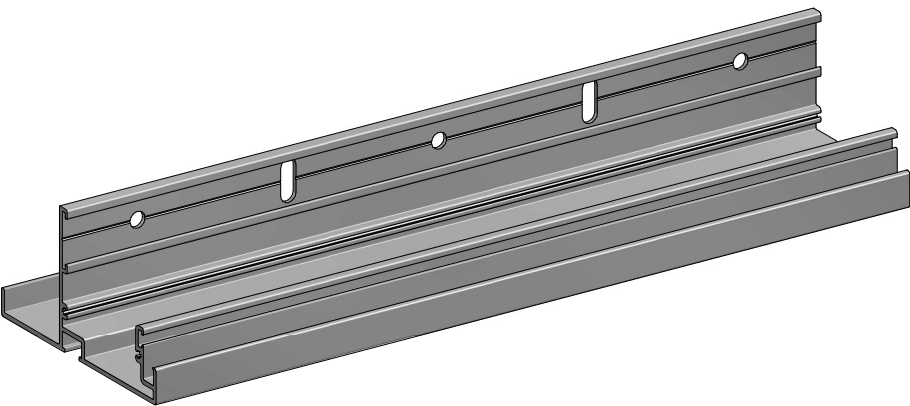
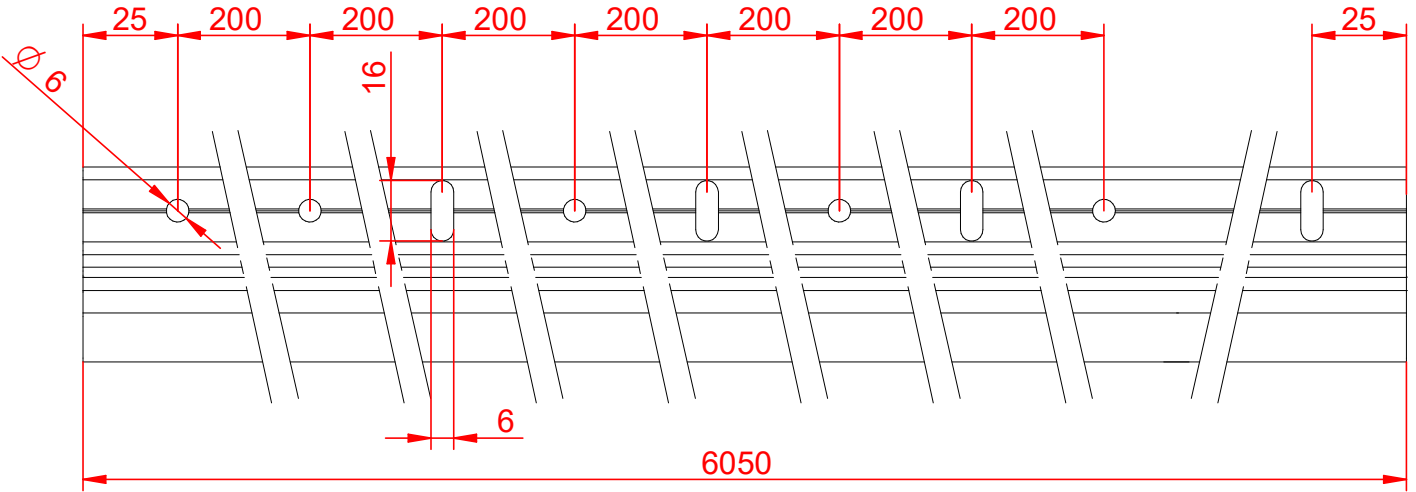
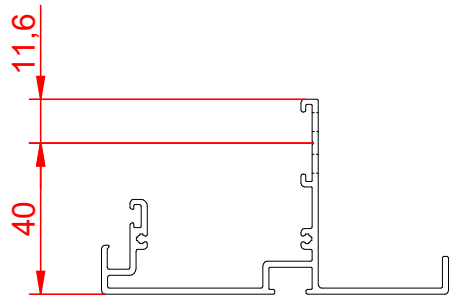


Reviews			
Rev	Description	Date	Approved



	Name	Date		
Drawn		2018/05/30		
Controlled				
Material: AA 6060 T5			A4	Rev 03
Weight meter:				
Weight piece:				
For more technical information request electronic files.			Scale:	