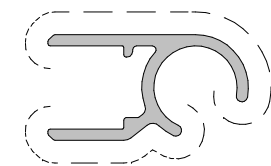
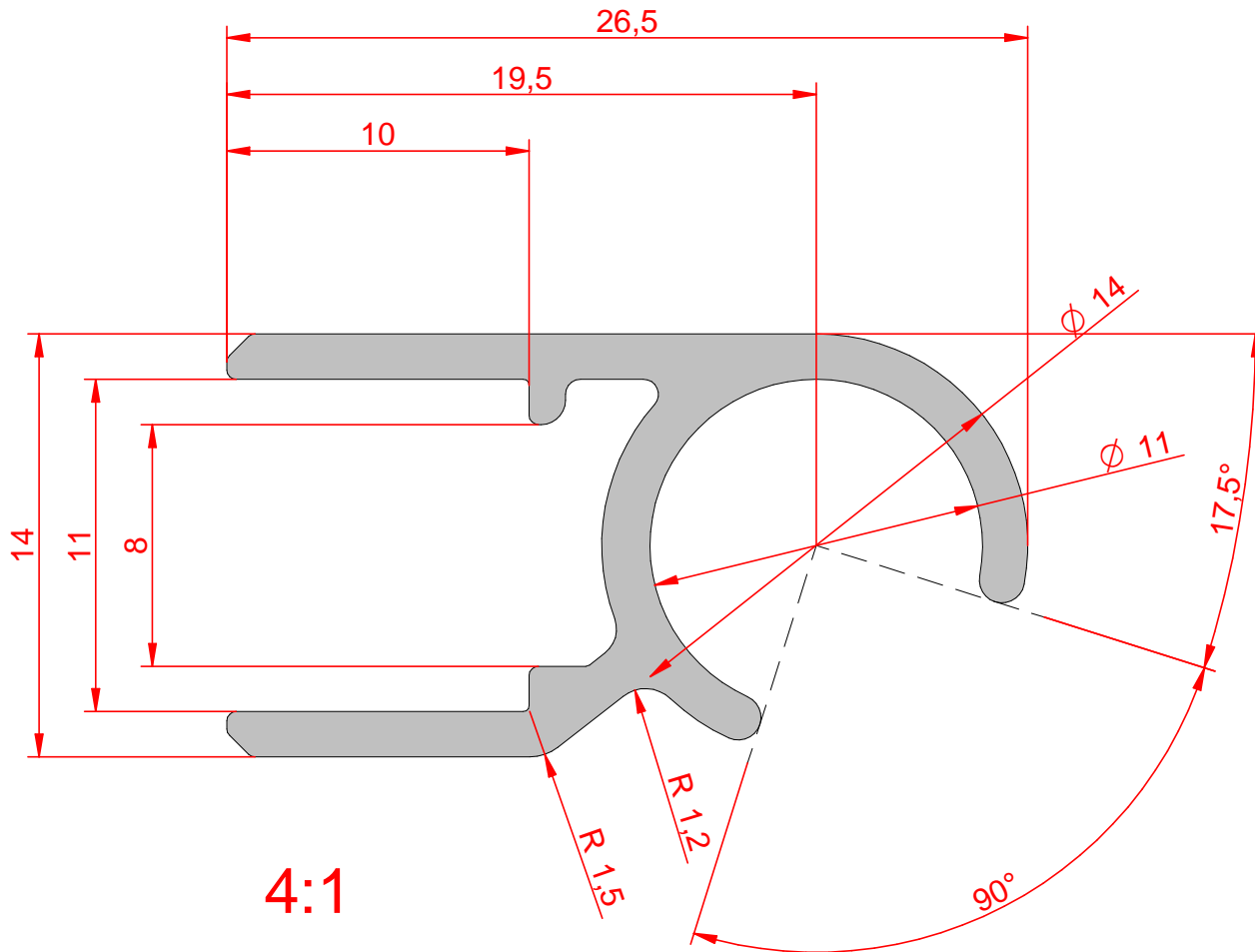


Reviews			
Rev	Description	Date	Approved



1:1

	Name	Date	
Drawn	B.Feliu-DSA	14/08/19	
Controlled			
Material: AA6060T5			A4
Weight meter: 0,2550 kgs /m.l.			
Weight piece:			File: GTW0-ECOF-F092.dft
For more technical information request electronic files.			Scale: 1:1 4:1
			<b>GTW0-ECOF-F092</b>

Rev  
01