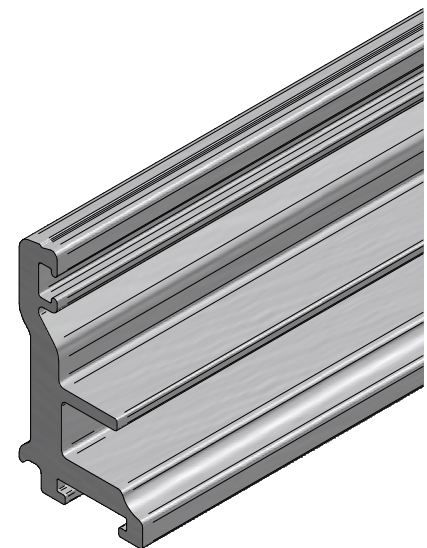
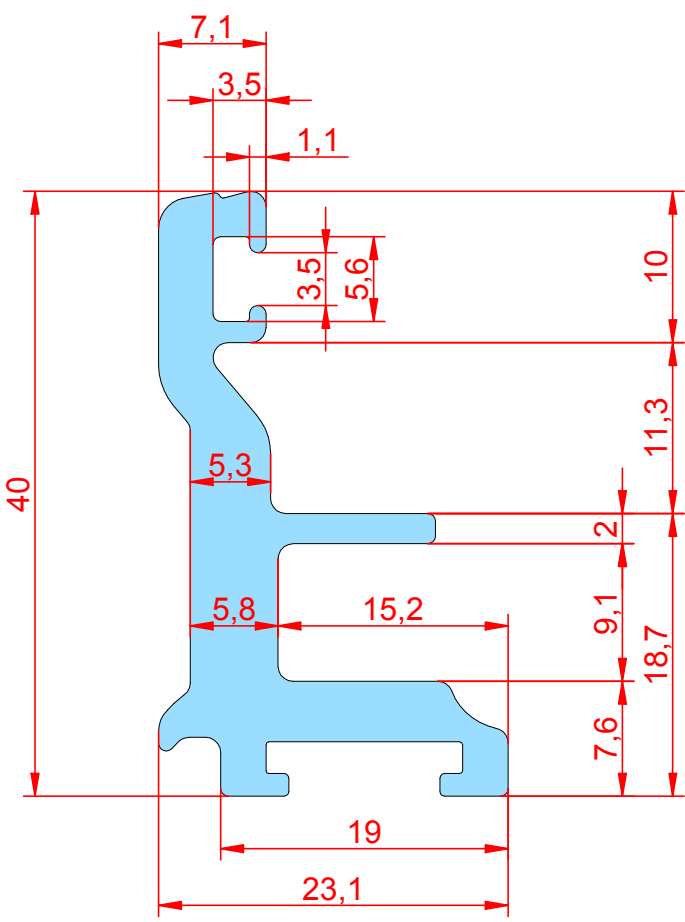
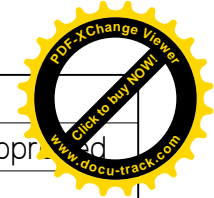
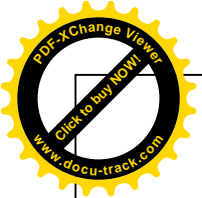


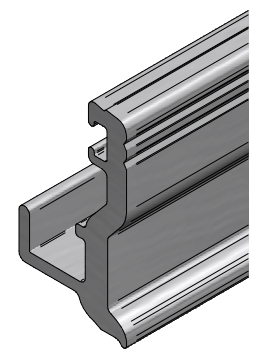
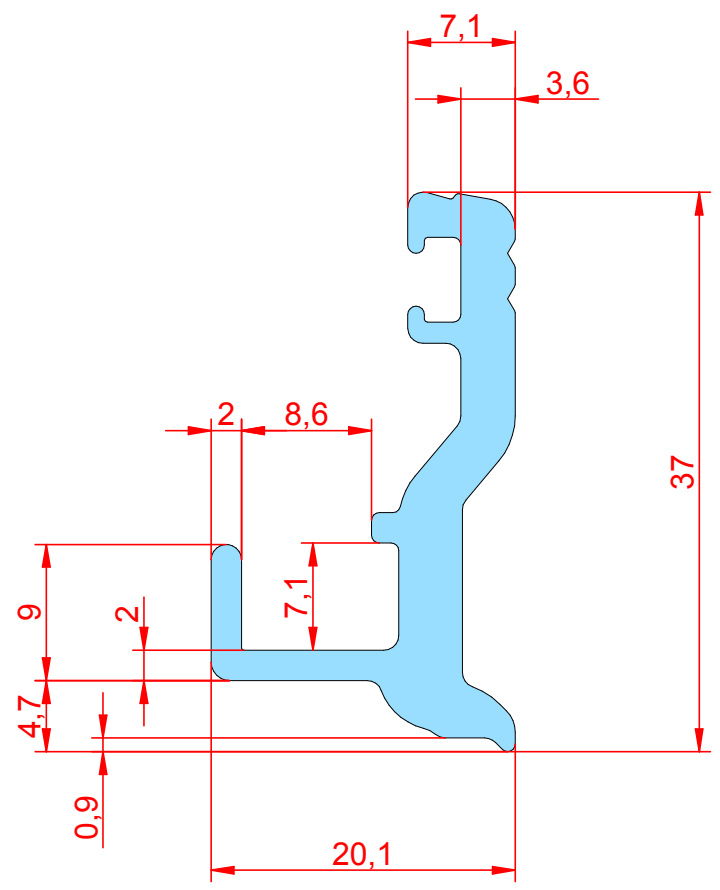
Reviews			
Rev	Description	Date	Appr



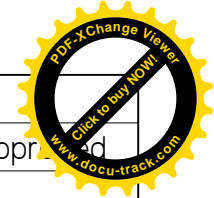
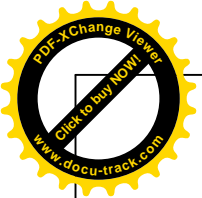
	Name	Date		
Drawn	B.Feliu-DSA	25/3/13		
Controlled				
Material: alum AA6060 T5			A4	Glasbauwand Profil A
Weight meter: 0,808 kgs /m.l.				
Weight piece:			File: 1.5.020.01.dft	
For more technical information request electronic files.			Scale: 1:1 / 2:1	1.5.020.01



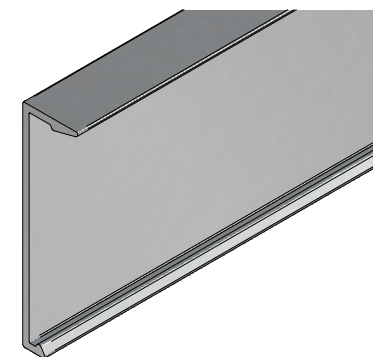
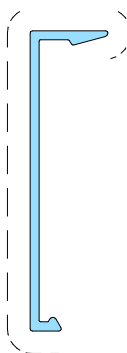
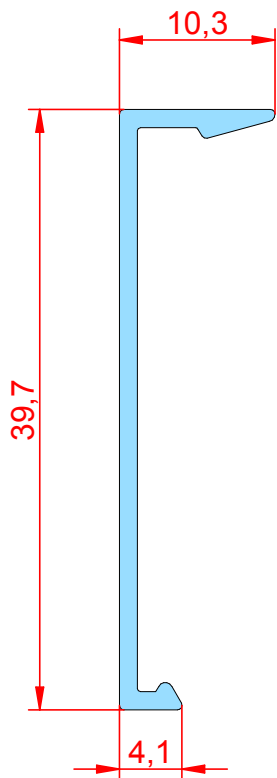
Reviews			
Rev	Description	Date	Appr



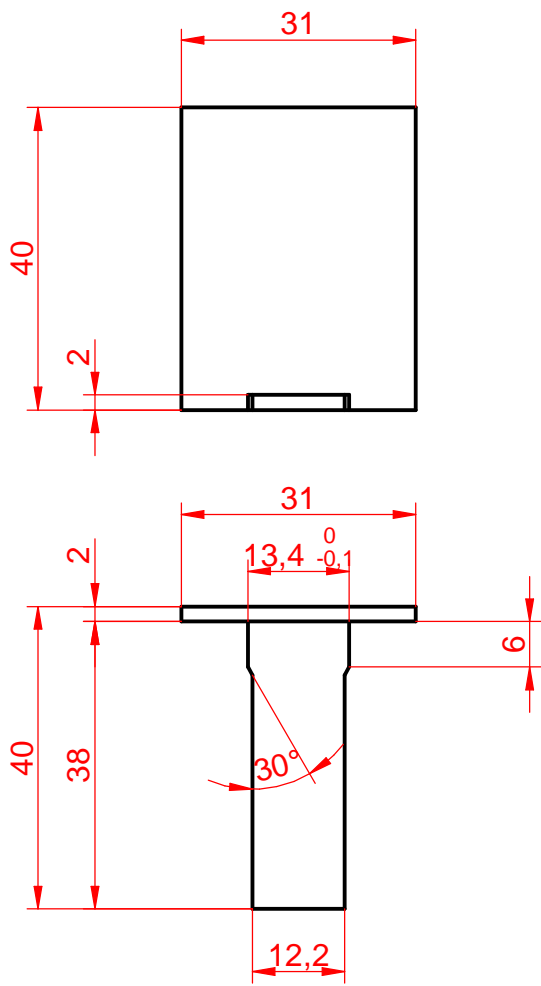
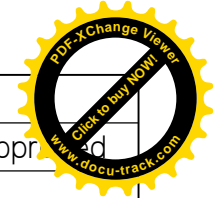
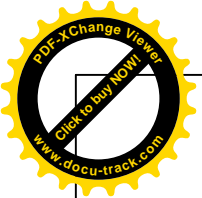
	Name	Date		
Drawn	B.Feliu-DSA	21/6/13		
Controlled				
Material: alum AA6060 T5			A4	Glasbauwand Profil Adapter 10 mm
Weight meter: 0,567 kgs /m.l.				Rev 01
Weight piece:			File: 1.5.020.06.dft	
For more technical information request electronic files.			Scale: 1:1 / 2:1	1.5.020.06



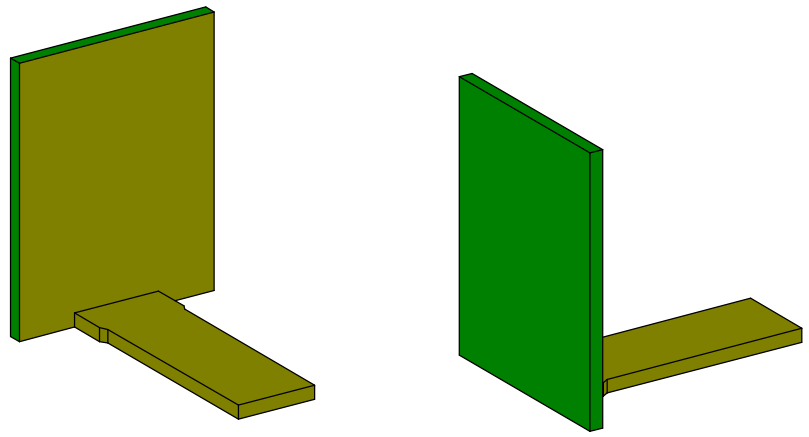
Reviews			
Rev	Description	Date	Appr. and



	Name	Date		
Drawn	B.Feliu-DSA	6/03/13		
Controlled				
Material: alum AA6060 T5			A4	Glasbauwand Profil C
Weight meter: 0,170 kgs /m.l.				
Weight piece:			File: 1.5.020.10.dft	
For more technical information request electronic files.			Scale: 1:1 / 2:1	1.5.020.10



Reviews			
Rev	Description	Date	Appr



not views sides
sides views

aluminium manufactured L40x40x2

	Name	Date		
Drawn	B.Feliu-DSA	30/09/13		
Controlled				
Material: Alum 6060T5			A4	Glastrenwand Profil Front Abdeckung GTW-8
Weight meter:				
Weight piece: 0,010 kgs			File: 1.5.020.15.dft	
For more technical information request electronic files.			Scale: 1:1	1.5.020.15