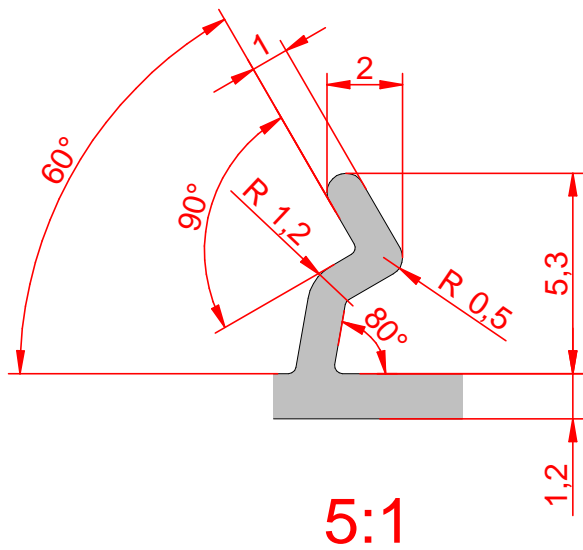
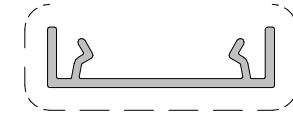
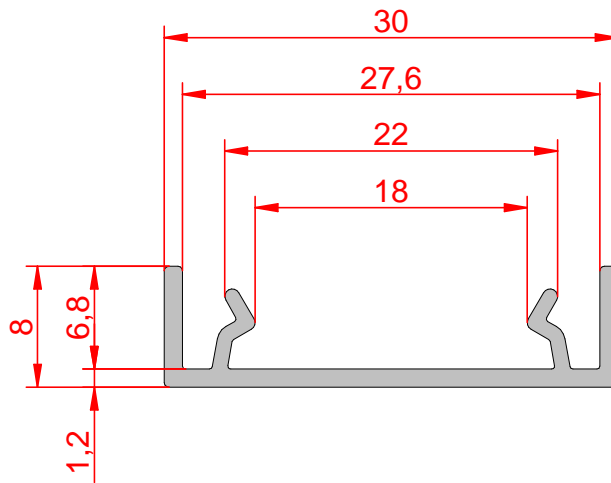


Reviews

Rev	Description	Date	Approved



	Name	Date		
Drawn	B.Feliu-DSA	19/11/20		
Controlled				
Material: AA6060T5			A4	Rev 01
Weight meter: 0,175 kgs /m.l.			File: SPRO-PROF-0001.dft	
Weight piece:			Scale: 1:1 2:1 5:1	
For more technical information request electronic files.			SPRO-PROF-0001	